



**ML WOOD**

# Spare and wear

## Parts list

# Knife Ring Flaker

## KRF 1460 HR (MLZ 1400-600 HSP)

Without electrical controls

**B. Maier & R.Loeth GmbH Wood Technology** \* An der Bleiche 9 \* 33813 Oerlinghausen (Germany)

Tel: +49 (0)5202 – 99689 - 0  
Fax: +49 (0)5202 – 99689 - 90  
Mail: info@ml-wood.com  
Web: www.ml-wood.com

Volksbank Paderborn-Höxter-Detmold  
BLZ 472 601 21 Konto 3 206 577 300  
IBAN-Nr.: DE02 4726 0121 3206 5773 00  
SWIFT (BIC) DGPBDE3MXXX

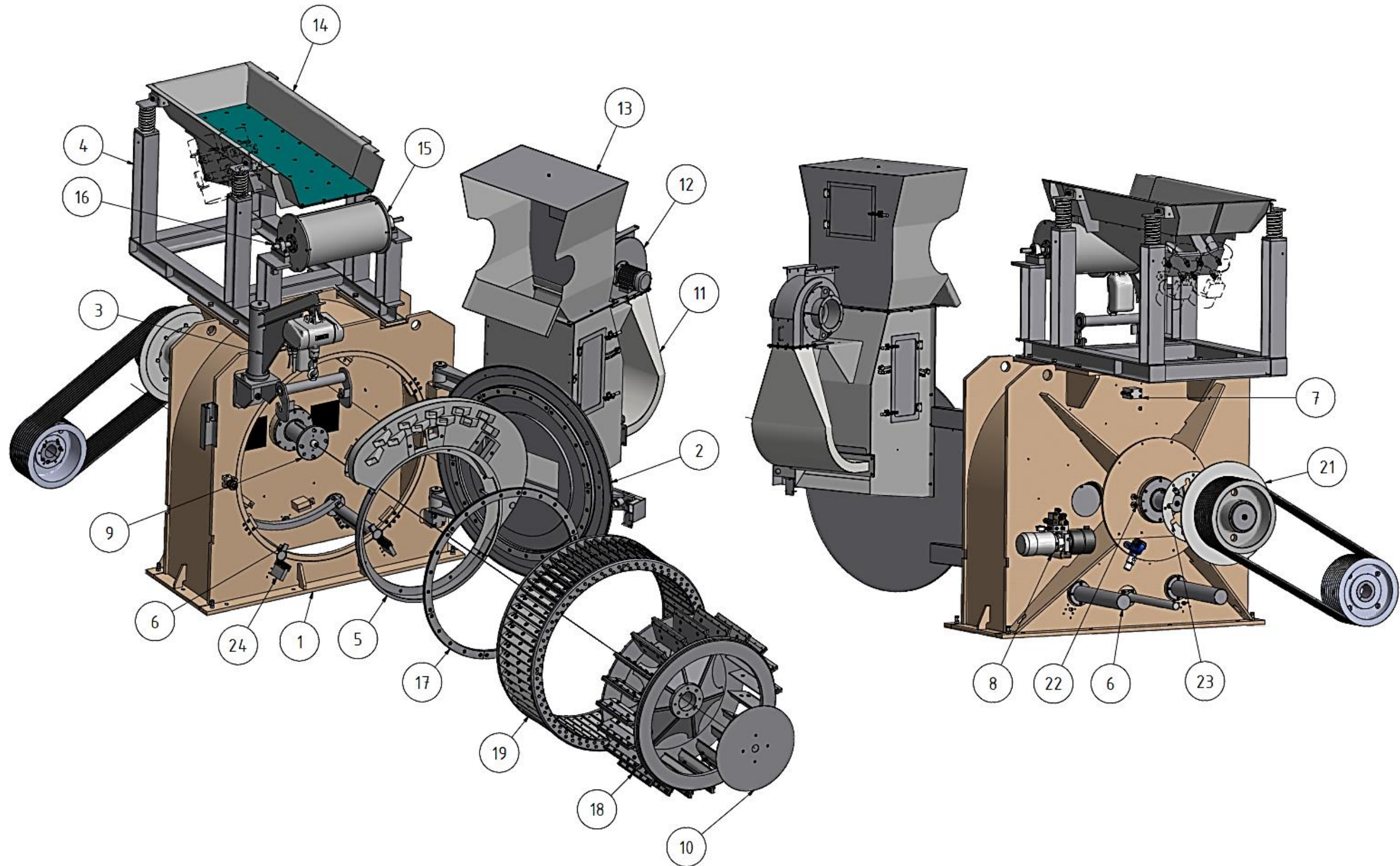
Sparkasse Bielefeld  
BLZ 480 501 61 Konto 50 082 999  
IBAN-Nr.: DE72 4805 0161 0050 0829 99  
SWIFT (BIC) SPBIDE3BXXX

Reg.-Gericht: Lemgo HRB 9088  
GF: Dipl.-Ing. Robert Loth  
GF: Annika Körtner  
Ust-IdNr.: DE 20 63 28 082



**ML WOOD**

### Assembly's parts KRF 1460 HR



**B. Maier & R.Loth GmbH Wood Technology** \* An der Bleiche 9 \* 33813 Oerlinghausen (Germany)

Tel: +49 (0)5202 - 99689 - 0  
Fax: +49 (0)5202 - 99689 - 90  
Mail: info@ml-wood.com  
Web: www.ml-wood.com

Volksbank Paderborn-Höxter-Detmold  
BLZ 472 601 21 Konto 3 206 577 300  
IBAN-Nr.: DE02 4726 0121 3206 5773 00  
SWIFT (BIC) DGPBDE3MXXX

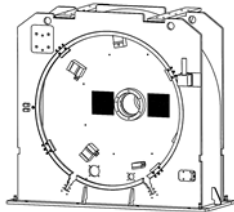
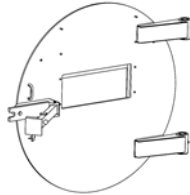
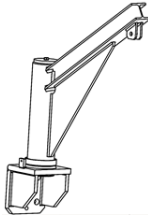
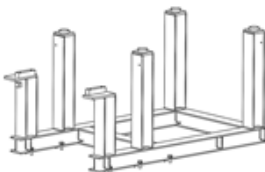
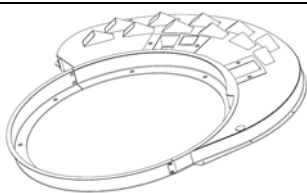
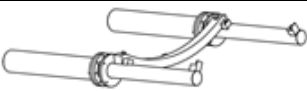
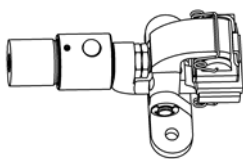
Sparkasse Bielefeld  
BLZ 480 501 61 Konto 50 082 999  
IBAN-Nr.: DE72 4805 0161 0050 0829 99  
SWIFT (BIC) SPBIDE3BXXX

Reg.-Gericht: Lemgo HRB 9088  
GF: Dipl.-Ing. Robert Loth  
GF: Annika Körtner  
Ust-IdNr.: DE 20 63 28 082



**ML WOOD**

Assembly's parts:

Item.	Description	
1	casing	
2	Door equipped	
3	Swing arm- <u>without chain hoist</u>	
4	steel girder frame to vibration conveyor	
5	Air flow system	
6	device for the removal of the knife ring	
7	Hydraulic of device for the removal of the knife ring and disk brake	

**B. Maier & R.Loth GmbH Wood Technology** \* An der Bleiche 9 \* 33813 Oerlinghausen (Germany)

Tel: +49 (0)5202 – 99689 - 0  
Fax: +49 (0)5202 – 99689 - 90  
Mail: info@ml-wood.com  
Web: www.ml-wood.com

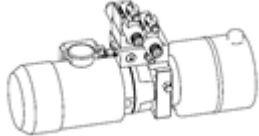
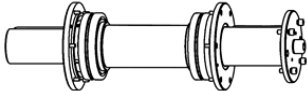

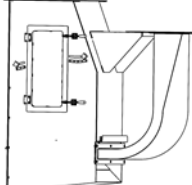
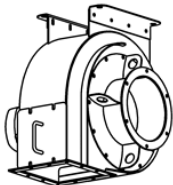
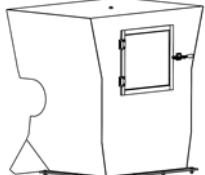
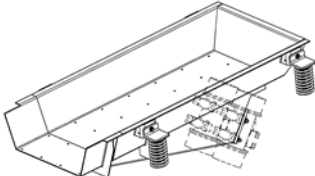
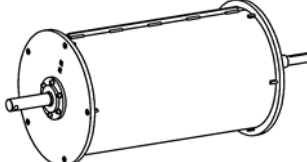

Volksbank Paderborn-Höxter-Detmold  
BLZ 472 601 21 Konto 3 206 577 300  
IBAN-Nr.: DE02 4726 0121 3206 5773 00  
SWIFT (BIC) DGPBDE3MXXX

Sparkasse Bielefeld  
BLZ 480 501 61 Konto 50 082 999  
IBAN-Nr.: DE72 4805 0161 0050 0829 99  
SWIFT (BIC) SPBIDE3BXXX

Reg.-Gericht: Lemgo HRB 9088  
GF: Dipl.-Ing. Robert Loth  
GF: Annika Körtner  
Ust-IdNr.: DE 20 63 28 082



**ML WOOD**

Item.	Description	
8	Hydraulic aggregate to KRF	
9	Rotor shaft with bearing	
10	distribution disc	
11	heavy particle separator	
12	cross ventilation	
13	air sifting	
14	vibration conveyor – without slide covering	
15	permanent magnet drum	
16 a	pedestal bearing block equipped	

**B. Maier & R.Loth GmbH Wood Technology** \* An der Bleiche 9 \* 33813 Oerlinghausen (Germany)

Tel: +49 (0)5202 – 99689 - 0  
 Fax: +49 (0)5202 – 99689 - 90  
 Mail: info@ml-wood.com  
 Web: www.ml-wood.com

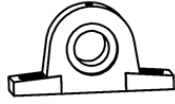

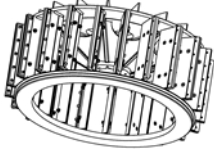
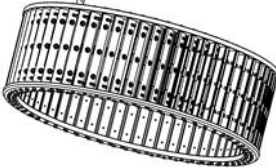
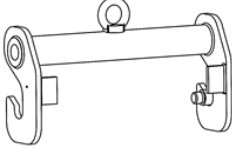
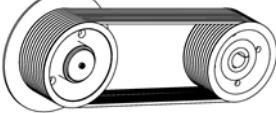



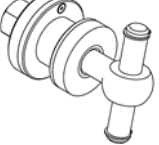
Volksbank Paderborn-Höxter-Detmold  
 BLZ 472 601 21 Konto 3 206 577 300  
 IBAN-Nr.: DE02 4726 0121 3206 5773 00  
 SWIFT (BIC) DGPBDE3MXXX

Sparkasse Bielefeld  
 BLZ 480 501 61 Konto 50 082 999  
 IBAN-Nr.: DE72 4805 0161 0050 0829 99  
 SWIFT (BIC) SPBIDE3BXXX

Reg.-Gericht: Lemgo HRB 9088  
 GF: Dipl.-Ing. Robert Loth  
 GF: Annika Körtner  
 Ust-IdNr.: DE 20 63 28 082



**ML WOOD**

Item.	Description	
16 b	pedestal bearing	
17	Back Sealing ring	
18	Rotor R21 HR- fixed rotor diameter	
19	Knife Ring KR60	
20	erection shackle to Knife ring	
21	belt drive to KRF 1460 -HR	
22	proximity switch	
23	divided washer HR	
24	Hydraulic guiding to removal of the knife ring	
25	Door lock	

**B. Maier & R.Loth GmbH Wood Technology** \* An der Bleiche 9 \* 33813 Oerlinghausen (Germany)

Tel: +49 (0)5202 – 99689 - 0  
 Fax: +49 (0)5202 – 99689 - 90  
 Mail: info@ml-wood.com  
 Web: www.ml-wood.com

Volksbank Paderborn-Höxter-Detmold  
 BLZ 472 601 21 Konto 3 206 577 300  
 IBAN-Nr.: DE02 4726 0121 3206 5773 00  
 SWIFT (BIC) DGPBDE3MXXX

Sparkasse Bielefeld  
 BLZ 480 501 61 Konto 50 082 999  
 IBAN-Nr.: DE72 4805 0161 0050 0829 99  
 SWIFT (BIC) SPBIDE3BXXX

Reg.-Gericht: Lemgo HRB 9088  
 GF: Dipl.-Ing. Robert Loth  
 GF: Annika Körtner  
 Ust-IdNr.: DE 20 63 28 082



**ML WOOD**

## Attention:

When ordering spare and wear parts please indicate in any case the machine no. (See type plate on the machine) and the corresponding article-no. of the requested part.

In order to reduce potential down-times to a minimum, we recommend you to lay in a small stock of parts.

### Spare parts and wear parts

Item.	Pcs.	Description	
3	1	Swing arm- <u>without chain hoist</u>	S
3.1	1	deep groove ball bearing	W
3.2	1	deep groove ball bearing	W
4	1	steel girder frame to vibration conveyer	S
4.1	12	Hexagon screw	S
4.2	12	Retaining washer, Schnorr	S
5	1	Air flow system	S
5.1	15	hexagon socket - countersunk screw	S
5.2	8	Cylinder head screw	S
5.3	8	Retaining washer, Schnorr	S
6	1	device for the removal of the knife ring	S
6.1	2	Bearing ring	S
7	1	Hydraulic of device for the removal of the knife ring and disk brake	S
7.1	1	Block cylinder	S
7.1.1	4	Cylinder head screw	S
7.1.2	4	Retaining washer, Schnorr	S
7.2	2	Throttle check valve	S
7.3	1	hydraulic cylinder	S
7.3.1	4	Hexagon screw	S
7.3.2	4	Retaining washer, Schnorr	S

**B. Maier & R.Loth GmbH Wood Technology** \* An der Bleiche 9 \* 33813 Oerlinghausen (Germany)

Tel: +49 (0)5202 – 99689 - 0  
Fax: +49 (0)5202 – 99689 - 90  
Mail: info@ml-wood.com  
Web: www.ml-wood.com

Volksbank Paderborn-Höxter-Deimold  
BLZ 472 601 21 Konto 3 206 577 300  
IBAN-Nr.: DE02 4726 0121 3206 5773 00  
SWIFT (BIC) DGPBDE3MXXX

Sparkasse Bielefeld  
BLZ 480 501 61 Konto 50 082 999  
IBAN-Nr.: DE72 4805 0161 0050 0829 99  
SWIFT (BIC) SPBIDE3BXXX

Reg.-Gericht: Lemgo HRB 9088  
GF: Dipl.-Ing. Robert Loth  
GF: Annika Körtner  
Ust-IdNr.: DE 20 63 28 082



**ML WOOD**

<b>7.4</b>	1	Brake caliper	S
<b>7.5</b>	2	Brake friction	S
<b>8</b>	1	Hydraulic aggregate to KRF	S
<b>8.1</b>	2	Cylinder head screw	S
<b>8.2</b>	2	Retaining washer, Schnorr	S
<b>10</b>	1	distribution disc Ø 700	S
<b>10.1</b>	1	Spare distribution disc Ø 600	S
<b>10.2</b>	1	Spare distribution disc Ø 800	S
<b>14</b>	1	vibration conveyor – without slide covering	S
<b>14.1</b>	2	vibration motors	S
<b>14.2</b>	4	Pressure spring	S
<b>15</b>	1	permanent magnet drum	S
<b>15.1</b>	1	geared motor	S
<b>22+23</b>	1	Standstill control HR	S
<b>24</b>	2	Hydraulic guiding to removal of the knife ring	S
<b>24.1</b>	2	slide guiding	S
<b>25</b>	1	Door lock	S
<b>25.1</b>	1	Big sliding disk to door shutter nut	S
<b>25.2</b>	1	Small sliding disk to door shutter nut	S

**B. Maier & R.Loith GmbH Wood Technology** \* An der Bleiche 9 \* 33813 Oerlinghausen (Germany)

Tel: +49 (0)5202 – 99689 - 0  
Fax: +49 (0)5202 – 99689 - 90  
Mail: info@ml-wood.com  
Web: www.ml-wood.com

Volksbank Paderborn-Höxter-Detmold  
BLZ 472 601 21 Konto 3 206 577 300  
IBAN-Nr.: DE02 4726 0121 3206 5773 00  
SWIFT (BIC) DGPBDE3MXXX

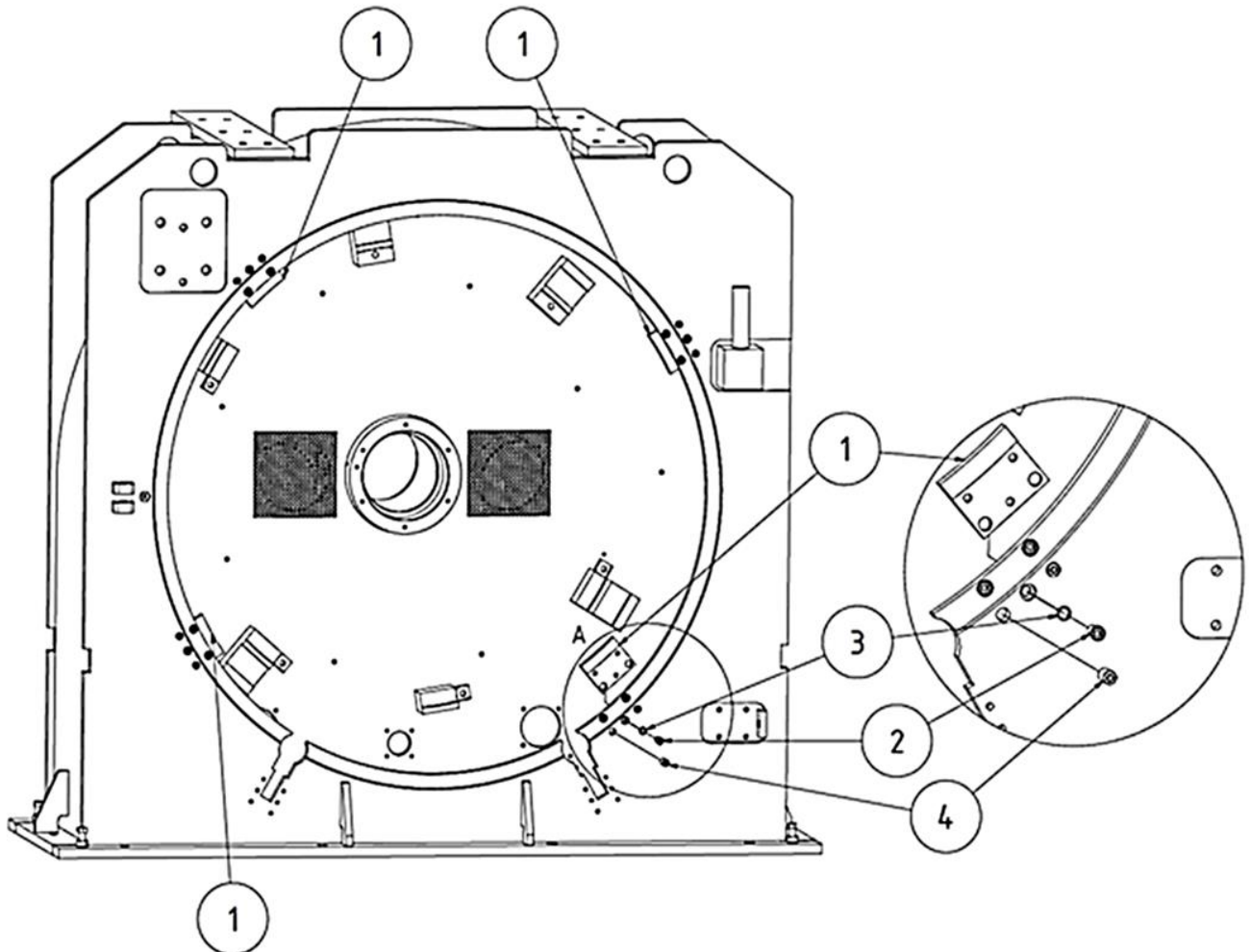
Sparkasse Bielefeld  
BLZ 480 501 61 Konto 50 082 999  
IBAN-Nr.: DE72 4805 0161 0050 0829 99  
SWIFT (BIC) SPBIDE3BXXX


Reg.-Gericht: Lemgo HRB 9088  
GF: Dipl.-Ing. Robert Loth  
GF: Annika Körtner  
Ust-IdNr.: DE 20 63 28 082



**ML WOOD**

**Item.1- Casing:**



Item.	Pcs.	Description	
1	4	Center plate	 S
2	12	Cylinder head screw	S
3	12	Retaining washer, Schnorr	S
4	8	Cylinder pin with internal thread	S

**B. Maier & R.Loeth GmbH Wood Technology** \* An der Bleiche 9 \* 33813 Oerlinghausen (Germany)

Tel: +49 (0)5202 – 99689 - 0  
 Fax: +49 (0)5202 – 99689 - 90  
 Mail: info@ml-wood.com  
 Web: www.ml-wood.com

Volksbank Paderborn-Höxter-Detmold  
 BLZ 472 601 21 Konto 3 206 577 300  
 IBAN-Nr.: DE02 4726 0121 3206 5773 00  
 SWIFT (BIC) DGPBDE3MXXX

Sparkasse Bielefeld  
 BLZ 480 501 61 Konto 50 082 999  
 IBAN-Nr.: DE72 4805 0161 0050 0829 99  
 SWIFT (BIC) SPBIDE3BXXX

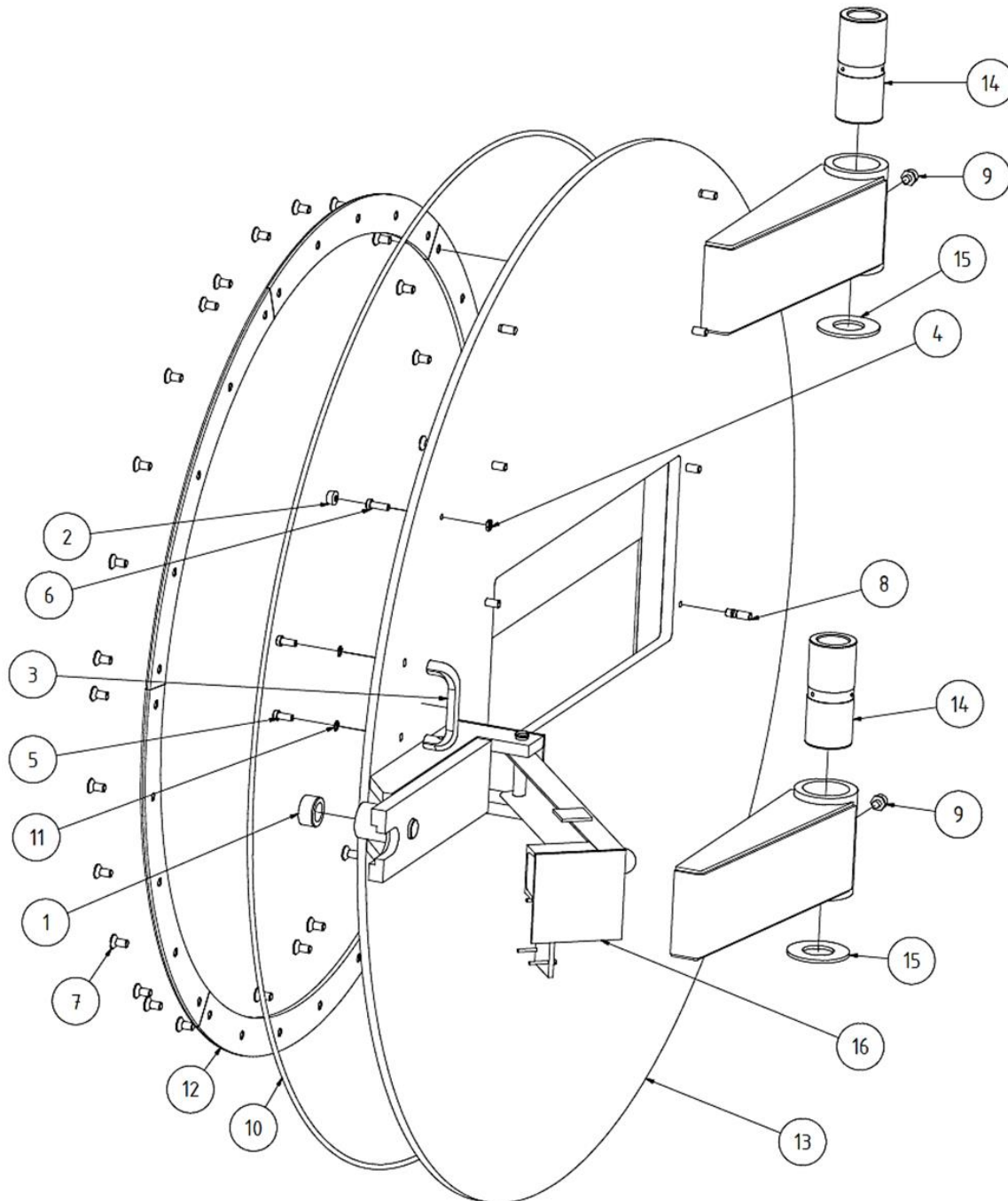
Reg.-Gericht: Lemgo HRB 9088  
 GF: Dipl.-Ing. Robert Loth  
 GF: Annika Körtner  
 Ust-IdNr.: DE 20 63 28 082





**ML WOOD**

**Item.2- door mounted**



**Please refer to the following lists for the spare and wear parts:**

**B. Maier & R.Loeth GmbH Wood Technology** \* An der Bleiche 9 \* 33813 Oerlinghausen (Germany)

Tel: +49 (0)5202 – 99689 - 0  
Fax: +49 (0)5202 – 99689 - 90  
Mail: info@ml-wood.com  
Web: www.ml-wood.com

Volksbank Paderborn-Höxter-Detmold  
BLZ 472 601 21 Konto 3 206 577 300  
IBAN-Nr.: DE02 4726 0121 3206 5773 00  
SWIFT (BIC) DGPBDE3MXXX

Sparkasse Bielefeld  
BLZ 480 501 61 Konto 50 082 999  
IBAN-Nr.: DE72 4805 0161 0050 0829 99  
SWIFT (BIC) SPBIDE3BXXX

Reg.-Gericht: Lemgo HRB 9088  
GF: Dipl.-Ing. Robert Loth  
GF: Annika Körtner  
Ust-IdNr.: DE 20 63 28 082



**ML WOOD**

Item.	Pcs.	Description	
1	1	Guide bushes	S
2	1	Pressure piece	S
3	1	Cabinet „U“ handle	W
4	1	Hexagon nut	S
5	2	Cylinder head screw	S
6	1	Cylinder head screw	S
7	30	hexagon socket – countersunk screw	S
8	8	Stud screw	S
9	2	Lubrication nipple	S
10	1	sealing	W
11	2	Retaining washer, Schnorr	S
12	6	Wear segment door	W
13	1	door	S
14	2	Bush to door hinge	S
15	2	washer	S
16	1	Door locking device	S
16.1	1	Coded limit switch	S

**B. Maier & R.Loith GmbH Wood Technology** \* An der Bleiche 9 \* 33813 Oerlinghausen (Germany)

Tel: +49 (0)5202 – 99689 - 0  
Fax: +49 (0)5202 – 99689 - 90  
Mail: info@ml-wood.com  
Web: www.ml-wood.com

Volksbank Paderborn-Höxter-Detmold  
BLZ 472 601 21 Konto 3 206 577 300  
IBAN-Nr.: DE02 4726 0121 3206 5773 00  
SWIFT (BIC) DGPBDE3MXXX

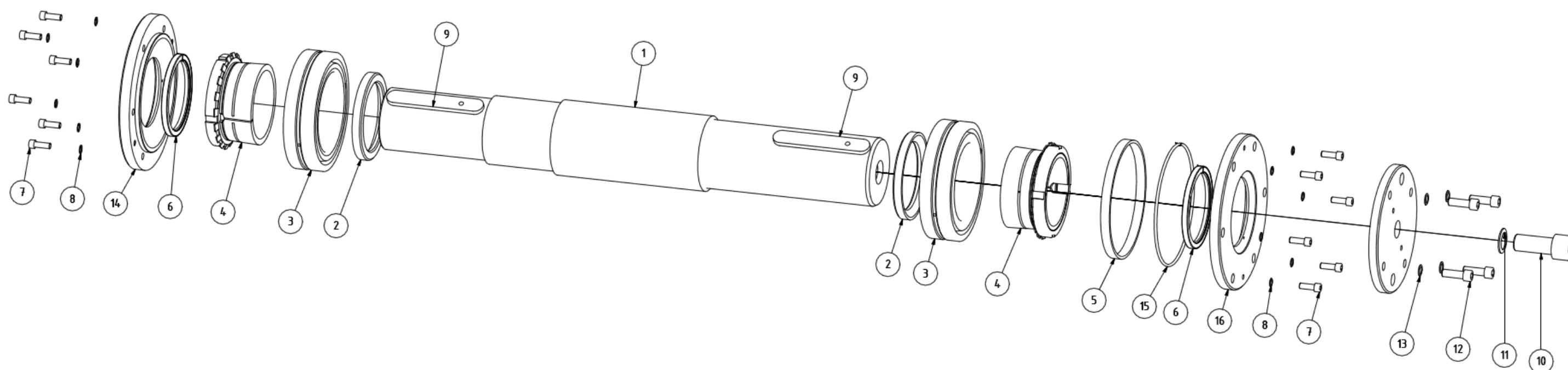
Sparkasse Bielefeld  
BLZ 480 501 61 Konto 50 082 999  
IBAN-Nr.: DE72 4805 0161 0050 0829 99  
SWIFT (BIC) SPBIDE3BXXX

Reg.-Gericht: Lemgo HRB 9088  
GF: Dipl.-Ing. Robert Loth  
GF: Annika Körtner  
Ust-IdNr.: DE 20 63 28 082



**ML WOOD**

**Item. 9- Rotor shaft with bearing:**



**Please refer to the following lists for the spare and wear parts:**

**B. Maier & R.Loth GmbH Wood Technology** \* An der Bleiche 9 \* 33813 Oerlinghausen (Germany)

Tel: +49 (0)5202 – 99689 - 0  
Fax: +49 (0)5202 – 99689 - 90  
Mail: info@ml-wood.com  
Web: www.ml-wood.com

Volksbank Paderborn-Höxter-Detmold  
BLZ 472 601 21 Konto 3 206 577 300  
IBAN-Nr.: DE02 4726 0121 3206 5773 00  
SWIFT (BIC) DGPBDE3MXXX

Sparkasse Bielefeld  
BLZ 480 501 61 Konto 50 082 999  
IBAN-Nr.: DE72 4805 0161 0050 0829 99  
SWIFT (BIC) SPBIDE3BXXX

Reg.-Gericht: Lemgo HRB 9088  
GF: Dipl.-Ing. Robert Loth  
GF: Annika Körtner  
Ust-IdNr.: DE 20 63 28 082



**ML WOOD**

Item.	Pcs.	Description	
1	1	rotor shaft	S
2	2	distance ring	S
3	2	pendulum roller bearing (rotor bearing)	W
4	2	tension sleeves (pendulum roller bearing)	W
5	1	fix ring	S
6	2	radial shaft sealing	W
7	12	Hexagon socket screw	S
8	12	Retaining washer, Schnorr	S
9	2	Feather key	S
10	1	Hexagon socket screw	S
11	1	Retaining washer, Schnorr	S
12	4	Hexagon socket screw	S
13	4	Retaining washer, Schnorr	S
14	1	Bearing cover	S
15	1	O-ring	S
16	1	Bearing cover to fixed bearing	S
17	1	End cover to Rotor	S

**B. Maier & R.Loth GmbH Wood Technology** \* An der Bleiche 9 \* 33813 Oerlinghausen (Germany)

Tel: +49 (0)5202 – 99689 - 0  
Fax: +49 (0)5202 – 99689 - 90  
Mail: info@ml-wood.com  
Web: www.ml-wood.com

Volksbank Paderborn-Höxter-Detmold  
BLZ 472 601 21 Konto 3 206 577 300  
IBAN-Nr.: DE02 4726 0121 3206 5773 00  
SWIFT (BIC) DGPBDE3MXXX

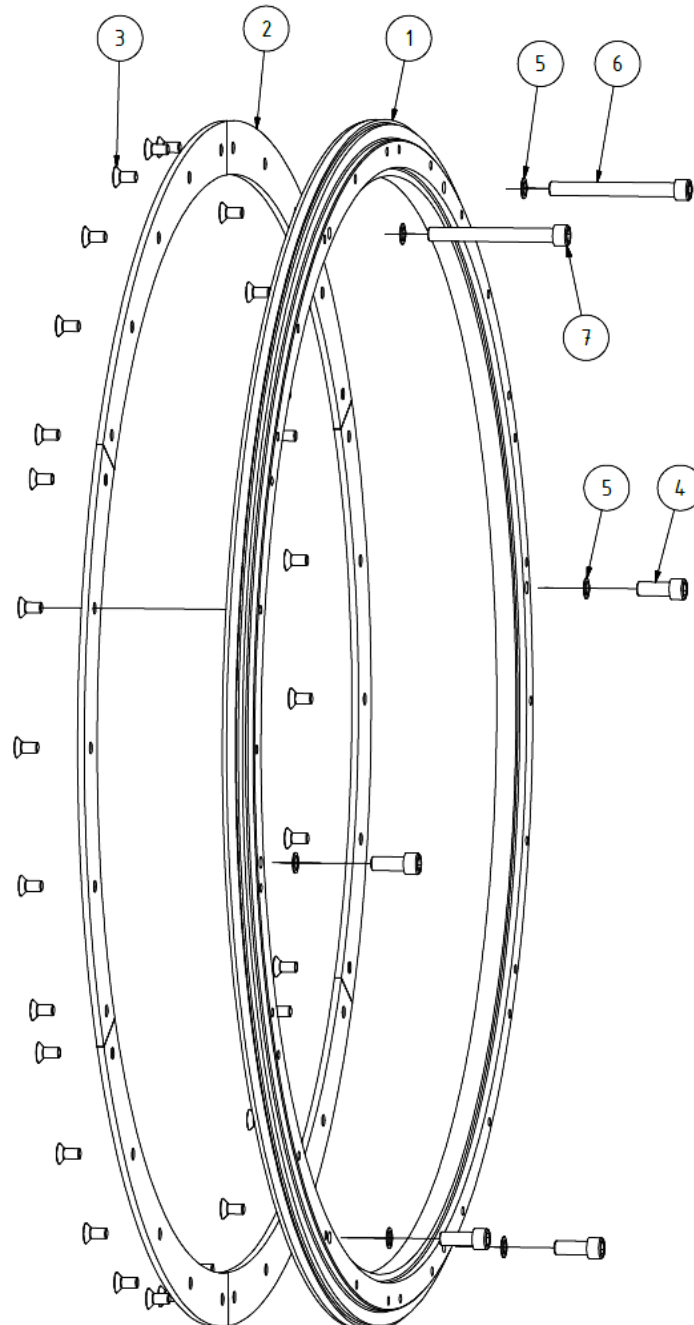
Sparkasse Bielefeld  
BLZ 480 501 61 Konto 50 082 999  
IBAN-Nr.: DE72 4805 0161 0050 0829 99  
SWIFT (BIC) SPBIDE3BXXX

Reg.-Gericht: Lemgo HRB 9088  
GF: Dipl.-Ing. Robert Loth  
GF: Annika Körtner  
Ust-IdNr.: DE 20 63 28 082



**ML WOOD**

**Item.17- Back Sealing Ring:**



**Please refer to the following lists for the spare and wear parts:**

**B. Maier & R.Loth GmbH Wood Technology** \* An der Bleiche 9 \* 33813 Oerlinghausen (Germany)

Tel: +49 (0)5202 – 99689 - 0  
Fax: +49 (0)5202 – 99689 - 90  
Mail: info@ml-wood.com  
Web: www.ml-wood.com

Volksbank Paderborn-Höxter-Detmold  
BLZ 472 601 21 Konto 3 206 577 300  
IBAN-Nr.: DE02 4726 0121 3206 5773 00  
SWIFT (BIC) DGPBDE3MXXX

Sparkasse Bielefeld  
BLZ 480 501 61 Konto 50 082 999  
IBAN-Nr.: DE72 4805 0161 0050 0829 99  
SWIFT (BIC) SPBIDE3BXXX

Reg.-Gericht: Lemgo HRB 9088  
GF: Dipl.-Ing. Robert Loth  
GF: Annika Körtner  
Ust-IdNr.: DE 20 63 28 082



**ML WOOD**

Item.	Pcs.	Description	
1	1	Back sealing ring unequipped	S
2	6	Waer segment	W
3	30	hexagon socket - countersunk screw	S
4	4	Hexagon socket screw	S
5	6	Retaining washer, Schnorr	S
6	1	Hexagon socket screw	S
7	1	Hexagon socket screw	S

**B. Maier & R.Loth GmbH Wood Technology** \* An der Bleiche 9 \* 33813 Oerlinghausen (Germany)

Tel: +49 (0)5202 – 99689 - 0  
Fax: +49 (0)5202 – 99689 - 90  
Mail: info@ml-wood.com  
Web: www.ml-wood.com

Volksbank Paderborn-Höxter-Detmold  
BLZ 472 601 21 Konto 3 206 577 300  
IBAN-Nr.: DE02 4726 0121 3206 5773 00  
SWIFT (BIC) DGPBDE3MXXX

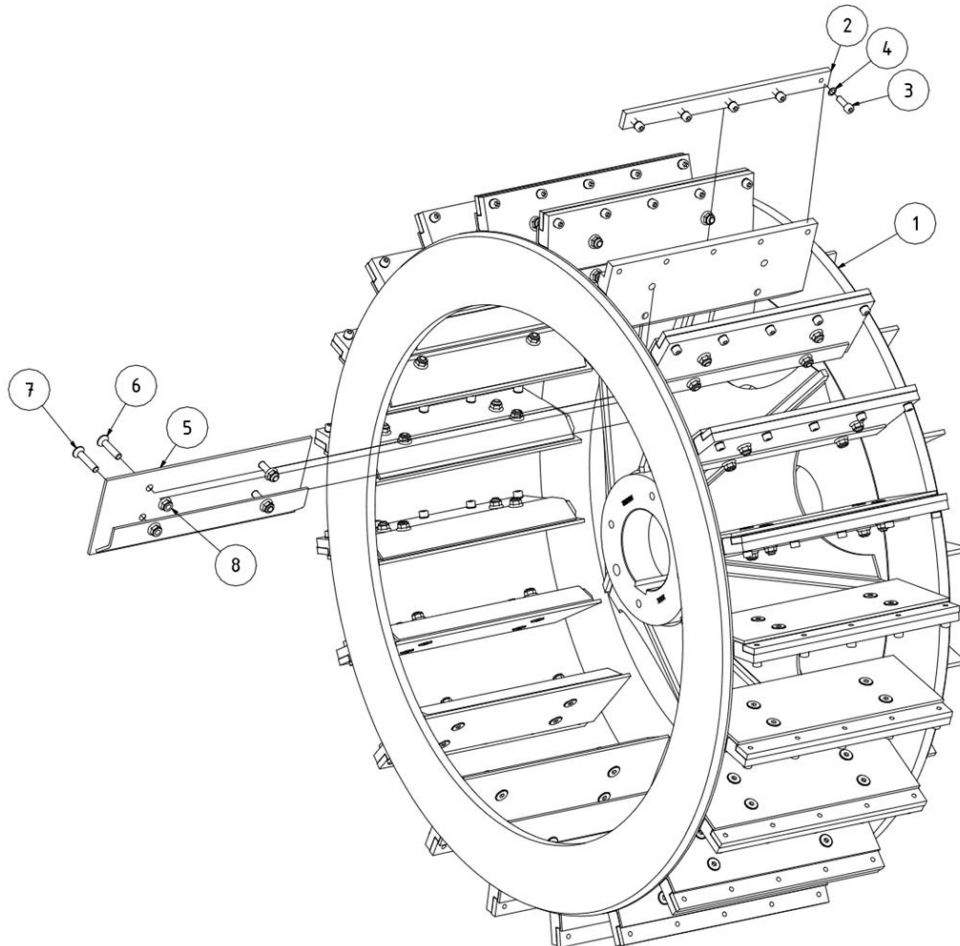
Sparkasse Bielefeld  
BLZ 480 501 61 Konto 50 082 999  
IBAN-Nr.: DE72 4805 0161 0050 0829 99  
SWIFT (BIC) SPBIDE3BXXX



Reg.-Gericht: Lemgo HRB 9088  
GF: Dipl.-Ing. Robert Loth  
GF: Annika Körtner  
Ust-IdNr.: DE 20 63 28 082



**ML WOOD**

**Item.18- Rotor R21 HR- fixed rotor diameter:**



Spare parts and wear parts Rotor R21 HR- fixed rotor diameter			
Item.	Pcs.	Description	Item.
<b>Rotor</b>			
	1	Rotor R21 HR equipped	
<b>1</b>	1	Rotor R21 HR unequipped	

**B. Maier & R.Loth GmbH Wood Technology** \* An der Bleiche 9 \* 33813 Oerlinghausen (Germany)

Tel: +49 (0)5202 – 99689 - 0  
 Fax: +49 (0)5202 – 99689 - 90  
 Mail: info@ml-wood.com  
 Web: www.ml-wood.com

Volksbank Paderborn-Höxter-Detmold  
 BLZ 472 601 21 Konto 3 206 577 300  
 IBAN-Nr.: DE02 4726 0121 3206 5773 00  
 SWIFT (BIC) DGPBDE3MXXX

Sparkasse Bielefeld  
 BLZ 480 501 61 Konto 50 082 999  
 IBAN-Nr.: DE72 4805 0161 0050 0829 99  
 SWIFT (BIC) SPBIDE3BXXX

Reg.-Gericht: Lemgo HRB 9088  
 GF: Dipl.-Ing. Robert Loth  
 GF: Annika Körtner  
 Ust-IdNr.: DE 20 63 28 082



**ML WOOD**

<b>Spare parts and wear parts Rotor R21 HR- fixed rotor diameter</b>			
<b>Item.</b>	<b>Pcs.</b>	<b>Description</b>	<b>Item.</b>
<b>Rotor</b>			
<b>2</b>	21	Rotor knife 457 x 50 x 11,5	W
<b>3</b>	105	Hexagon socket screw	S
<b>4</b>	105	Retaining washer, Schnorr	S
<b>5</b>	21	Wear sheet to rotor blade	W
<b>6</b>	42	hexagon socket - countersunk screw	S
<b>7</b>	42	hexagon socket - countersunk screw	S
<b>8</b>	84	Locking nut with flange	S

**B. Maier & R.Loith GmbH Wood Technology** \* An der Bleiche 9 \* 33813 Oerlinghausen (Germany)

Tel: +49 (0)5202 – 99689 - 0  
Fax: +49 (0)5202 – 99689 - 90  
Mail: info@ml-wood.com  
Web: www.ml-wood.com

Volksbank Paderborn-Höxter-Detmold  
BLZ 472 601 21 Konto 3 206 577 300  
IBAN-Nr.: DE02 4726 0121 3206 5773 00  
SWIFT (BIC) DGPBDE3MXXX

Sparkasse Bielefeld  
BLZ 480 501 61 Konto 50 082 999  
IBAN-Nr.: DE72 4805 0161 0050 0829 99  
SWIFT (BIC) SPBIDE3BXXX

Reg.-Gericht: Lemgo HRB 9088  
GF: Dipl.-Ing. Robert Loth  
GF: Annika Körtner  
Ust-IdNr.: DE 20 63 28 082






**ML WOOD**

**Item.19- Knife ring KR60:**



Spare parts and wear parts Knife ring KR60			
Item.	Pcs.	Description	
<b>Knife ring</b>			
	1	Knife ring equipped	

**B. Maier & R.Loth GmbH Wood Technology** \* An der Bleiche 9 \* 33813 Oerlinghausen (Germany)

Tel: +49 (0)5202 – 99689 - 0  
 Fax: +49 (0)5202 – 99689 - 90  
 Mail: info@ml-wood.com  
 Web: www.ml-wood.com

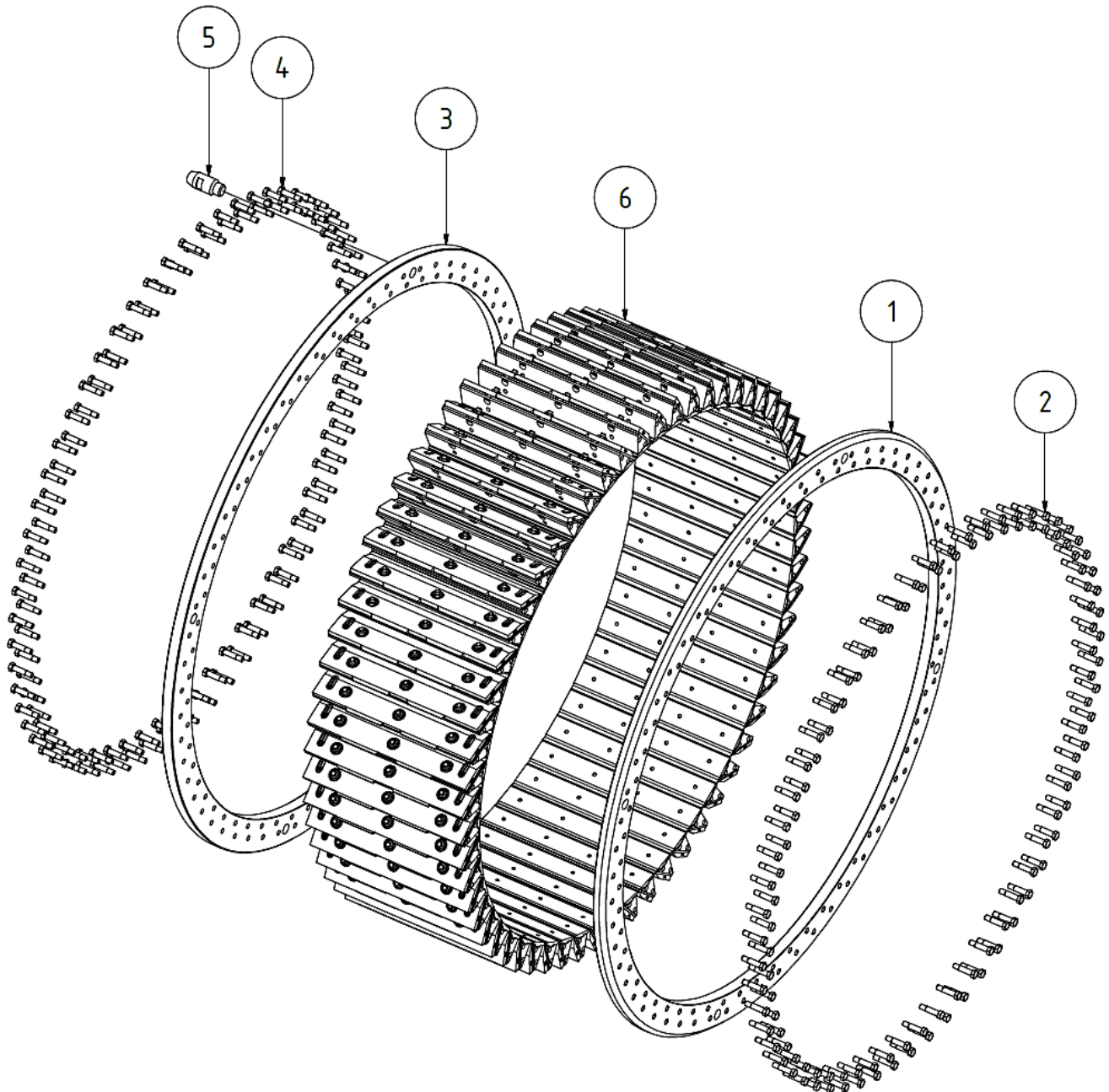
Volksbank Paderborn-Höxter-Detmold  
 BLZ 472 601 21 Konto 3 206 577 300  
 IBAN-Nr.: DE02 4726 0121 3206 5773 00  
 SWIFT (BIC) DGPBDE3MXXX

Sparkasse Bielefeld  
 BLZ 480 501 61 Konto 50 082 999  
 IBAN-Nr.: DE72 4805 0161 0050 0829 99  
 SWIFT (BIC) SPBIDE3BXXX

Reg.-Gericht: Lemgo HRB 9088  
 GF: Dipl.-Ing. Robert Loth  
 GF: Annika Körtner  
 Ust-IdNr.: DE 20 63 28 082



**ML WOOD**



**Please refer to the following lists for the spare and wear parts:**

**B. Maier & R.Loth GmbH Wood Technology** \* An der Bleiche 9 \* 33813 Oerlinghausen (Germany)

Tel: +49 (0)5202 – 99689 - 0  
Fax: +49 (0)5202 – 99689 - 90  
Mail: [info@ml-wood.com](mailto:info@ml-wood.com)  
Web: [www.ml-wood.com](http://www.ml-wood.com)

Volksbank Paderborn-Höxter-Detmold  
BLZ 472 601 21 Konto 3 206 577 300  
IBAN-Nr.: DE02 4726 0121 3206 5773 00  
SWIFT (BIC) DGPBDE3MXXX

Sparkasse Bielefeld  
BLZ 480 501 61 Konto 50 082 999  
IBAN-Nr.: DE72 4805 0161 0050 0829 99  
SWIFT (BIC) SPBIDE3BXXX

Reg.-Gericht: Lemgo HRB 9088  
GF: Dipl.-Ing. Robert Loth  
GF: Annika Körtner  
Ust-IdNr.: DE 20 63 28 082



**ML WOOD**

<b>Spare parts and wear parts Knife ring KR60</b>			
<b>Item.</b>	<b>Pcs.</b>	<b>Description</b>	
<b>Knife ring</b>			
<b>1</b>	1	leading ring	S
<b>2</b>	60	Hexagon fitting screw	S
<b>3</b>	1	back ring	S
<b>4</b>	60	Hexagon fitting screw	S
<b>5</b>	1	Locking bolt	S
<b>6</b>	60	Knife support equipped with add-on components	S

**B. Maier & R.Loth GmbH Wood Technology** \* An der Bleiche 9 \* 33813 Oerlinghausen (Germany)

Tel: +49 (0)5202 – 99689 - 0  
Fax: +49 (0)5202 – 99689 - 90  
Mail: info@ml-wood.com  
Web: www.ml-wood.com

Volksbank Paderborn-Höxter-Detmold  
BLZ 472 601 21 Konto 3 206 577 300  
IBAN-Nr.: DE02 4726 0121 3206 5773 00  
SWIFT (BIC) DGPBDE3MXXX

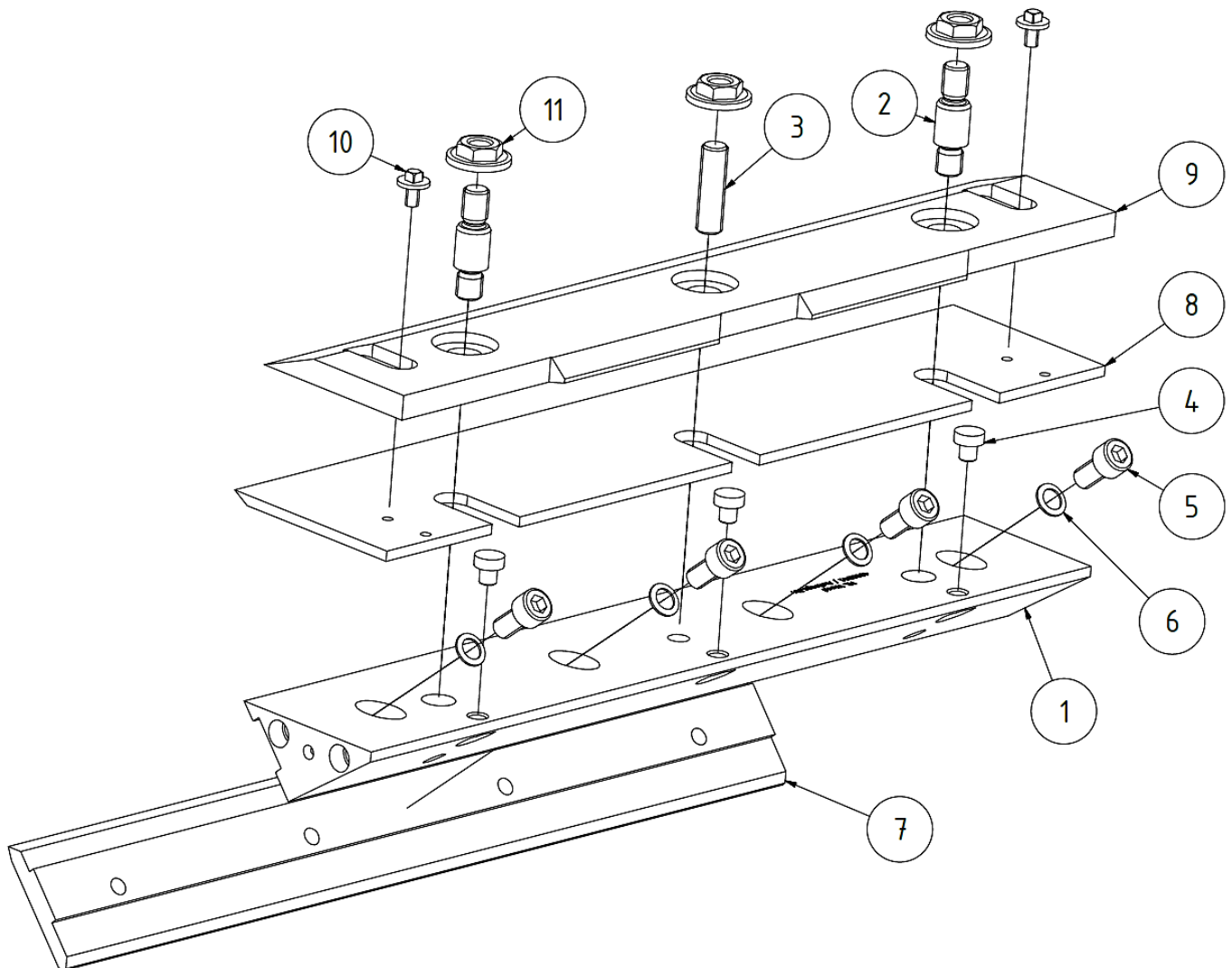
Sparkasse Bielefeld  
BLZ 480 501 61 Konto 50 082 999  
IBAN-Nr.: DE72 4805 0161 0050 0829 99  
SWIFT (BIC) SPBIDE3BXXX

Reg.-Gericht: Lemgo HRB 9088  
GF: Dipl.-Ing. Robert Loth  
GF: Annika Körtner  
Ust-IdNr.: DE 20 63 28 082



**ML WOOD**

**Knife support equipped with add-on components:**



**Please refer to the following lists for the spare and wear parts:**

**B. Maier & R.Loth GmbH Wood Technology** \* An der Bleiche 9 \* 33813 Oerlinghausen (Germany)

Tel: +49 (0)5202 – 99689 - 0  
Fax: +49 (0)5202 – 99689 - 90  
Mail: info@ml-wood.com  
Web: www.ml-wood.com

Volksbank Paderborn-Höxter-Detmold  
BLZ 472 601 21 Konto 3 206 577 300  
IBAN-Nr.: DE02 4726 0121 3206 5773 00  
SWIFT (BIC) DGPBDE3MXXX

Sparkasse Bielefeld  
BLZ 480 501 61 Konto 50 082 999  
IBAN-Nr.: DE72 4805 0161 0050 0829 99  
SWIFT (BIC) SPBIDE3BXXX

Reg.-Gericht: Lemgo HRB 9088  
GF: Dipl.-Ing. Robert Loth  
GF: Annika Körtner  
Ust-IdNr.: DE 20 63 28 082



**ML WOOD**

<b>Spare parts and wear parts Knife ring KR60</b>			
<b>Item.</b>	<b>Pcs.</b>	<b>Description</b>	
<b>Knife support equipped with add-on components</b>			
<b>1</b>	60	Knife Support	S
<b>2</b>	120	Guiding bolt	S
<b>3</b>	60	Threaded pin	S
<b>4</b>	180	Stop element	S
<b>5</b>	240	Hexagon socket screw	S
<b>6</b>	240	Retaining washer, Schnorr	S
<b>7</b>	60	Wear sheet 63,3x11,2x464,5	W
<b>8</b>	60	Flaking knife	W
<b>9</b>	60	Clamping plate 100 x 12 x 460	W
<b>10</b>	120	Square head screw	S
<b>11</b>	180	Collar nut	S

**B. Maier & R.Loth GmbH Wood Technology** \* An der Bleiche 9 \* 33813 Oerlinghausen (Germany)

Tel: +49 (0)5202 – 99689 - 0  
Fax: +49 (0)5202 – 99689 - 90  
Mail: info@ml-wood.com  
Web: www.ml-wood.com

Volksbank Paderborn-Höxter-Detmold  
BLZ 472 601 21 Konto 3 206 577 300  
IBAN-Nr.: DE02 4726 0121 3206 5773 00  
SWIFT (BIC) DGPBDE3MXXX

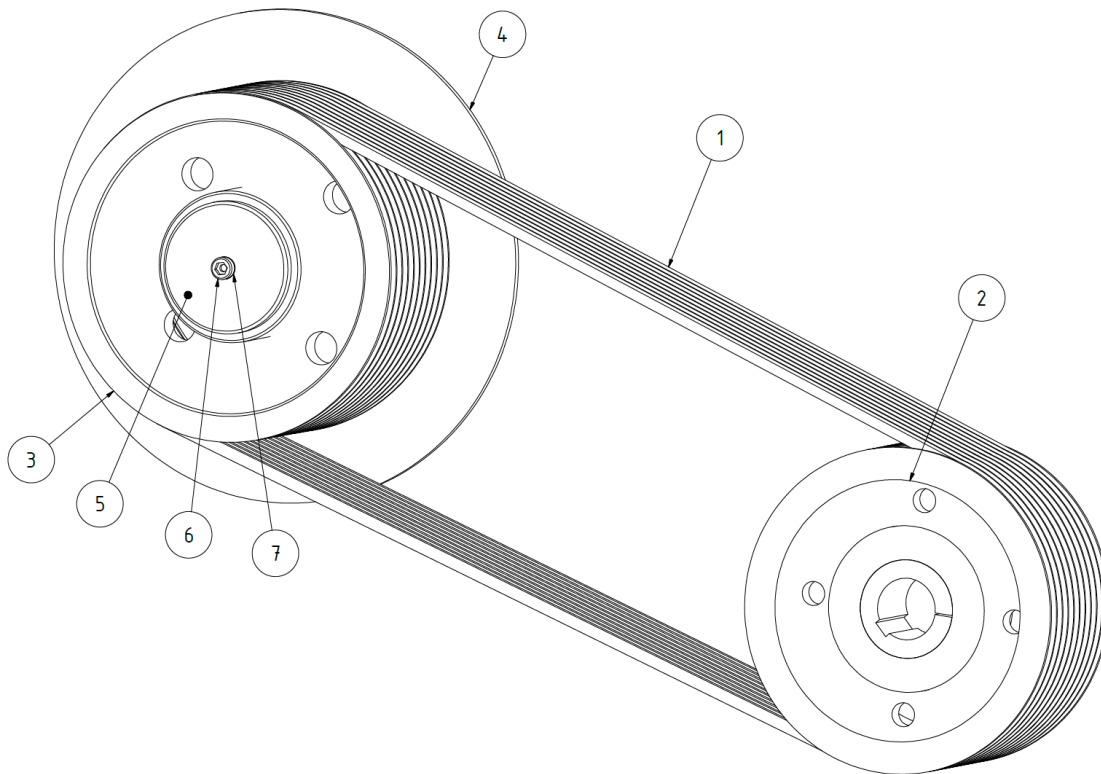
Sparkasse Bielefeld  
BLZ 480 501 61 Konto 50 082 999  
IBAN-Nr.: DE72 4805 0161 0050 0829 99  
SWIFT (BIC) SPBIDE3BXXX


Reg.-Gericht: Lemgo HRB 9088  
GF: Dipl.-Ing. Robert Loth  
GF: Annika Körtner  
Ust-IdNr.: DE 20 63 28 082



**ML WOOD**

**Item. 21- Belt drive**



Spare parts and wear parts belt drive			
Item.	Pcs.	Description	Item
1	1	Set of rotor V-belt pulley (= 10 pieces)	 S
2	1	V-belt pulley motor	S
3	1	V-belt pulley rotor	S
4	1	Brake disk to HR	W
5	1	Lid	S
6	1	Hexagon socket screw	S
7	1	Retaining washer, Schnorr	S

**-END-**

**B. Maier & R.Loth GmbH Wood Technology** \* An der Bleiche 9 \* 33813 Oerlinghausen (Germany)

Tel: +49 (0)5202 – 99689 - 0  
 Fax: +49 (0)5202 – 99689 - 90  
 Mail: info@ml-wood.com  
 Web: www.ml-wood.com

Volksbank Paderborn-Höxter-Detmold  
 BLZ 472 601 21 Konto 3 206 577 300  
 IBAN-Nr.: DE02 4726 0121 3206 5773 00  
 SWIFT (BIC) DGPBDE3MXXX

Sparkasse Bielefeld  
 BLZ 480 501 61 Konto 50 082 999  
 IBAN-Nr.: DE72 4805 0161 0050 0829 99  
 SWIFT (BIC) SPBIDE3BXXX

Reg.-Gericht: Lemgo HRB 9088  
 GF: Dipl.-Ing. Robert Loth  
 GF: Annika Körtner  
 Ust-IdNr.: DE 20 63 28 082